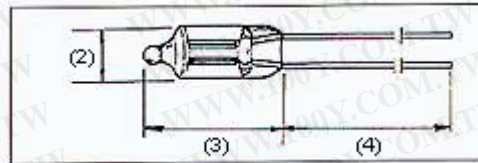
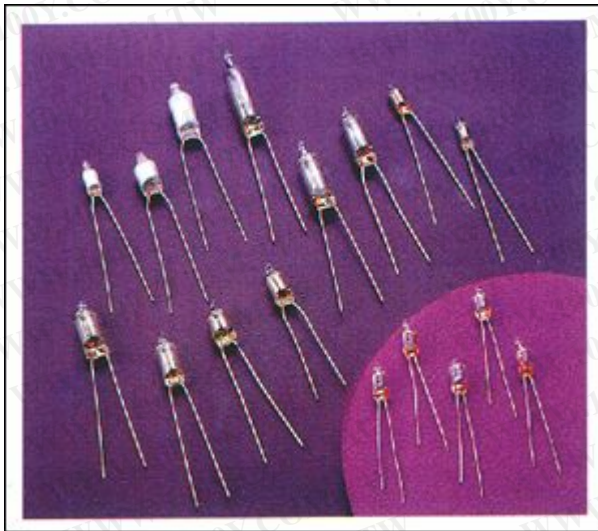


Wire Terminal Neon Grow Lamps

勝特力材料 886-3-5753170
 勝特力电子(上海) 86-21-54151736
 勝特力电子(深圳) 86-755-83298787
[Http://www.100y.com.tw](http://www.100y.com.tw)

Tachai type no. NE 6 16 30 S
 (1) (2) (3) (4) (5)

DETAIL SPECIFICATION



1. Neon Lamps
2. Diameter: 3,4,5,6(mm)(+/-0.2mm)
3. Bulb Length: 10,12,16,18,20,25(mm)(+/-1mm)
4. Lead Length: 25,30,45,50(mm)(+/-2mm)
 Custom Pre-Cut or Forming is available
5. Brightness/Color:

S : Standard Brightness(Orange)

C : Medium Brightness(Orange-Red)

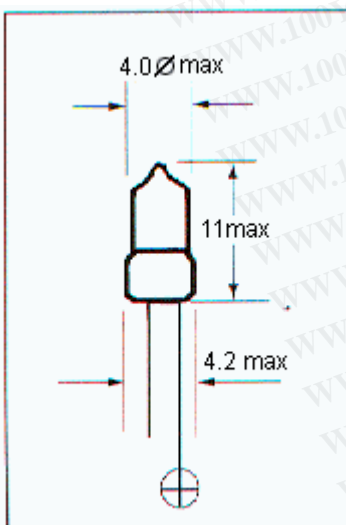
H : High Brightness(Red)

UH : Ultra-Brightness(Brightness Red)

G : Green

B : Blue

Type	Starting V.	Maintaining V.	Current	External Res.	Useful Life	Color
Unit	(VDC)	(VDC)	(mA)	(kohm)	(Hours)	
NE240R	230-250	180min	0.1	1000	1000	Orange-Red
NE260R	250-270	180min	0.1	1000	1000	Orange-Red
NE280R	2570-290	180min	0.1	1000	1000	Orange-Red



Application: These lamps can be used on Flasher Light of Camera as charging indicator.

Assemblies: Neon Lamps+Resistors

Neon Lamp type: Any of Tachai's type no. can be selected

Recommend type: Please advise detail specifications

Resistor: Resistance subject to application of 110/130 VAC or 220/240VAC

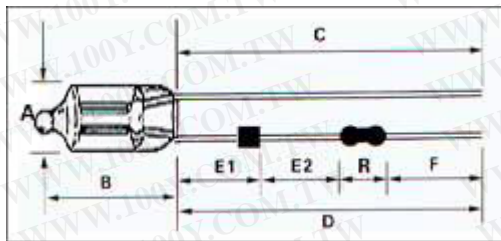
Wattage 1/8w (1/6W)

1/4w, Please indicate the dimensions of this resistor

R :Mini-size resistor, 2.5 \varnothing mm x 6.5 \varnothing mm Length with 0.5 \varnothing mm+/-0.02 \varnothing mm tin-plated leads

MR:Micro-size resistor, 2.0 \varnothing mmX3.5 \varnothing mm Length with 0.5 \varnothing mm \pm 0.02 \varnothing mm tin-plated leads

1/3w



	A	B	C	D	E1	E2	F
Dimension							
Tolerance							

Joint Method: Neon+Resistor by Butt-Weld Crimping

Neon Lamp+Resistors+Wires

勝特力材料 886-3-5753170
 勝特力电子(上海) 86-21-54151736
 勝特力电子(深圳) 86-755-83298787
[Http://www.100y.com.tw](http://www.100y.com.tw)

Neon Lamps + Resistors: Same as above

Attached Wires:

Rated Voltage: 300 volts, 600 volts.

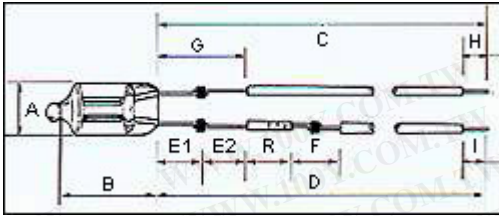
Rated Temperature: Depends on customer's requirement

Conductor: Bare copper
 Tin or Nickered coated copper
 Solid
 Strained

Color: Any colors

Approval: UL, CSA, VDE, CE....etc.





- Insulation:
- PVC
 - Silicone Rubber
 - Silicone Rubber + Fiberglass braid
 - Teflon
 - Thickness

- Treatment at end of wires
- Half-Stripped
 - Full-Stripped:
 - Tin Plated
 - Twisted

With terminals: Please detail specifications such as type, dimensions, wire range, stock thick, material/finish, brands, part no....etc.

	A	B	C	D	E1	E2	F	G	H	I
Dimension										
Tolerance										

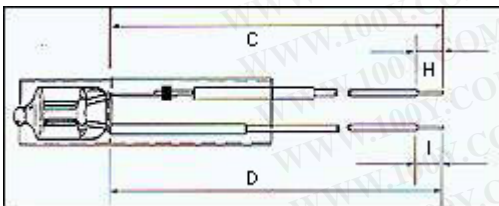
Neon Lamps+Resistors+Wires+Insulated Tube



Neon Lamps+Resistors+Wires: Same as above
 Insulated Tube:

- Nominal voltage: 300volts, 600volts
- Temperature range: 105°C, 125°C
- Approval: UL, CSA,etc.
- Colors: Clear, Black

- Material:
- Shrinkable
 - Non-shrinkable:
 - PVC
 - Silicon
 - Others



- Diameter of outer tubing : O.D. depends on customer's requirement
- Length of outer tubing: Subject to the neon lamps and application
- Diameter of inner tubing: O.D 2.6m/m min.
- Length of inner tubing: 12 m/m min.

Based Neon Lamps

Please advise TACHAI type no. of neon lamps,
the dimensions and base type.

110VAC/120VAC

220VAC/240VAC

With resistor on the base, please advise the
resistance value

Without resistor in the base

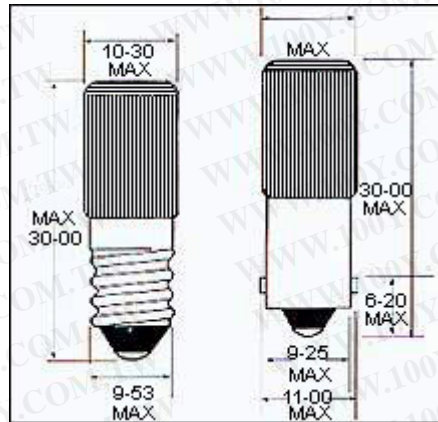
Base color:

Brass

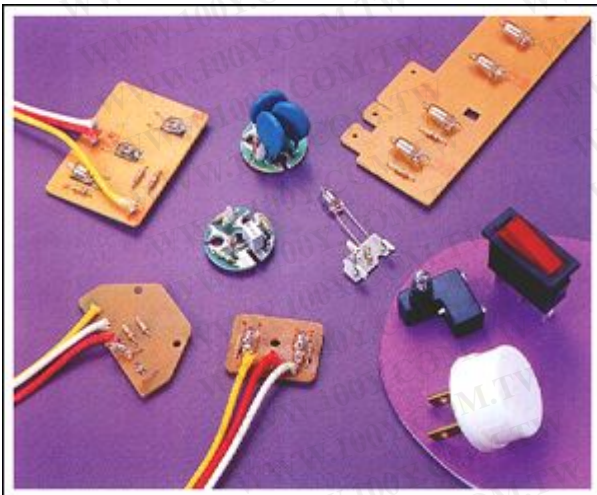
Nickel plated



勝特力材料 886-3-5753170
勝特力电子(上海) 86-21-54151736
勝特力电子(深圳) 86-755-83298787
[Http://www.100y.com.tw](http://www.100y.com.tw)



PCB Assemblies & Installation



PCB assemblies:

We provide custom design PCB assembly work on
boards utilizing components, providing both hand
wave soldering services.

Installation:

We provide our lamps installed in holders, housings
indicator light PCBs, etc.